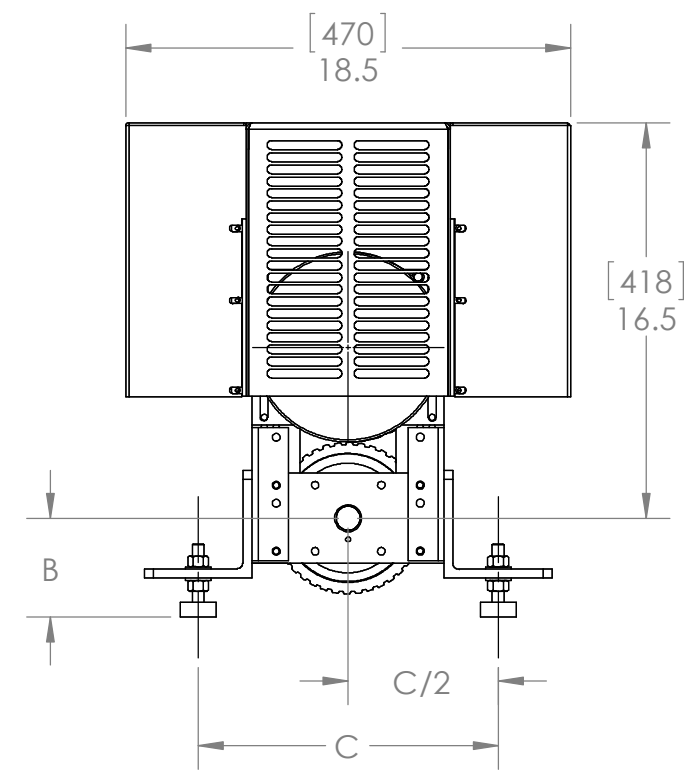
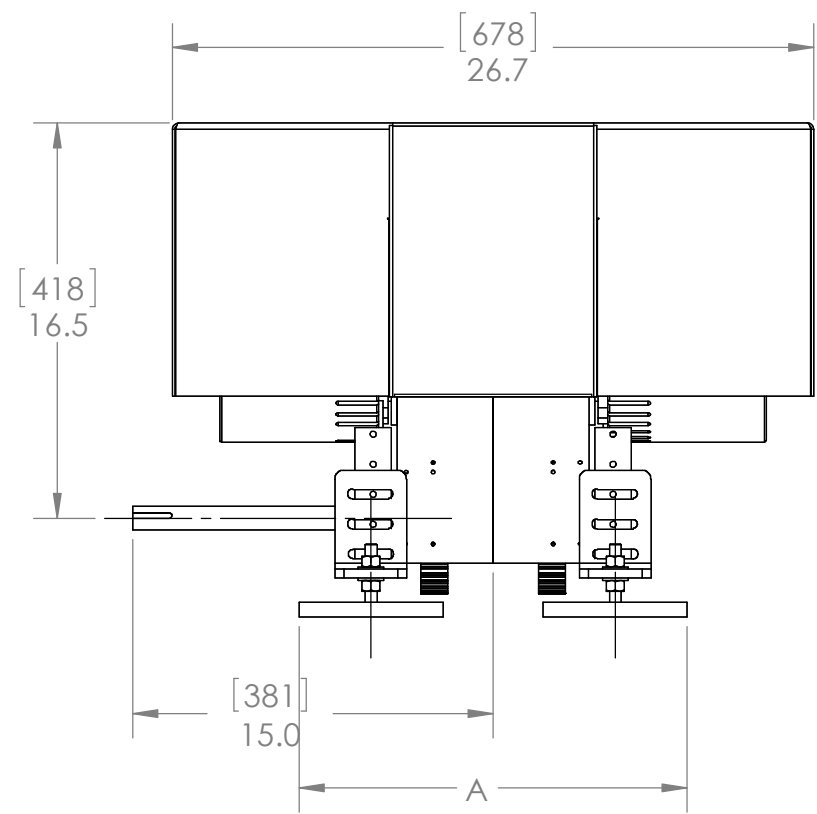
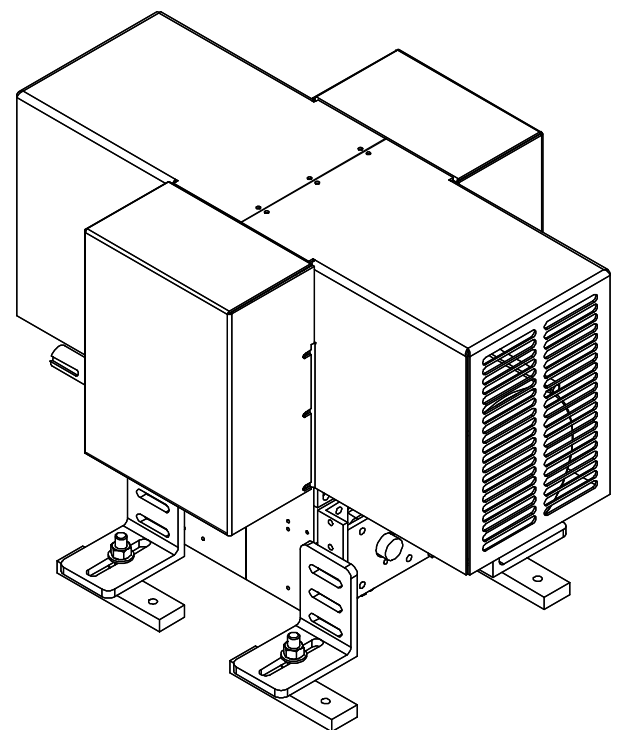


8 7 6 5 4 3 2 1

REVISIONS			
REV.	DESCRIPTION	DATE	APPROVED
1	STARTED DWG	12-23-13	SDM



Note:
 A.) Distance from outside of foot to outside of foot
 Max: 17.5[444], Min 14.5[368]
 B.) Distance from shaft to the bottom of foot
 Max Below Shaft: 5.9[150], Max Above Shaft: 7.6[193]
 C.) Center line of foot to center line of foot
 Max(With Spacers): 18.3[464], Min: 9.8[249]

APPROVED BY:	DRAWN BY: TKH	DATE: 3/3/11
PROPRIETARY AND CONFIDENTIAL THE INFORMATION CONTAINED IN THIS DRAWING IS THE SOLE PROPERTY OF MELROSE METALWORKS. ANY REPRODUCTION IN PART OR AS A WHOLE WITHOUT THE WRITTEN PERMISSION OF MELROSE METALWORKS IS PROHIBITED.	MATERIAL	UNLESS OTHERWISE SPECIFIED: DIMENSIONS ARE IN INCHES TOLERANCES: FRACTIONAL ± 1/16 ANGULAR: MACH ± 1° BEND ± 1° TWO PLACE DECIMAL ± .01 THREE PLACE DECIMAL ± .005
	FINISH	
	DO NOT SCALE DRAWING	

ELECTRIC YACHT		
TITLE: QT 20.0-30.0		
SIZE B	DWG. NO. QT 20.0-30.0	REV 1
SCALE: 1:8	WEIGHT:	SHEET 2 OF 2

8 7 6 5 4 3 2 1